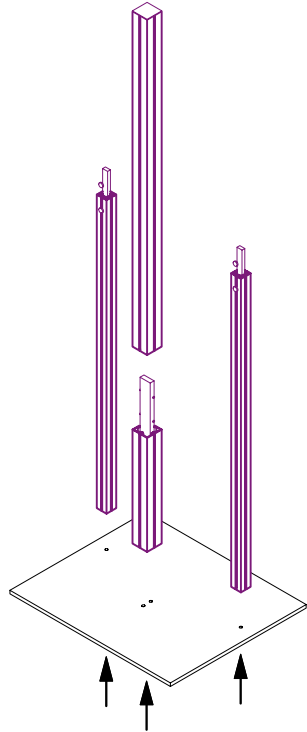


STEP 1

Bolt the extrusion posts to the base plate as shown. The smaller pieces are to the outside, the larger extrusion attaches to the middle two holes.

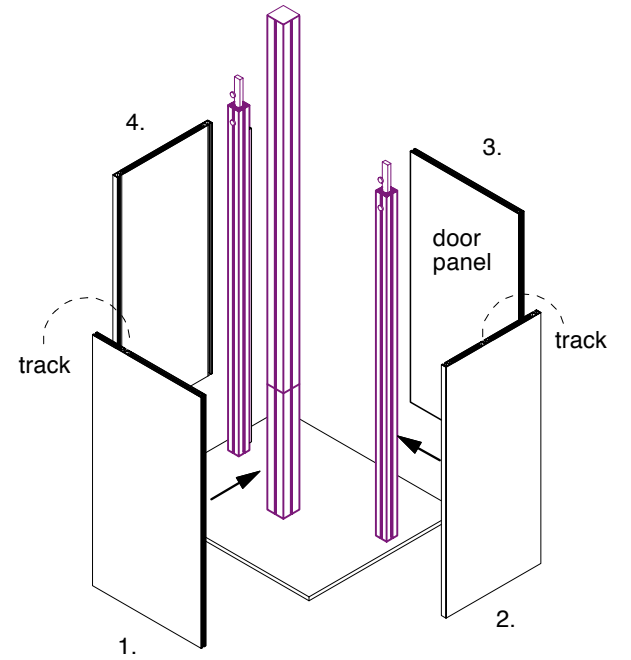
Attach the upper larger extrusion to the lower piece (already attached to base).



STEP 2

Attach the two panels with tracks to the right post and center large post. Panels slide together and slide onto red buttons on posts.

Attach the other panels to each other, in the order shown.



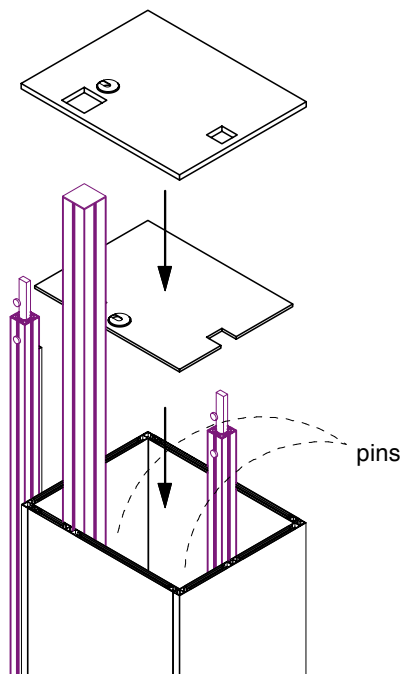
STEP 3

Insert the shelf pins into the holes on inside of two panels.

Insert the inner shelf, and rest on shelf pins.

Adjust shelf height accordingly.

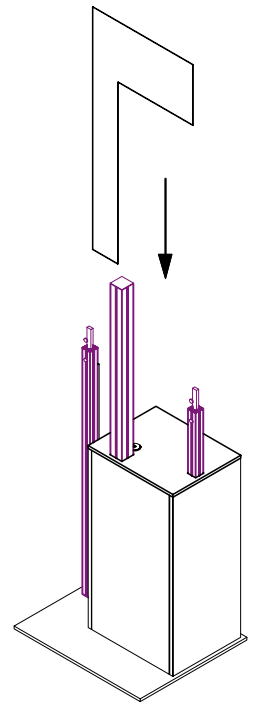
Place top shelf onto top of assembled panels.



STEP 4

Slide L-shaped plex piece down between the posts as shown here.

Plex should fit into the inner grooves of the extrusion posts, and come to rest on the base and the top shelf.

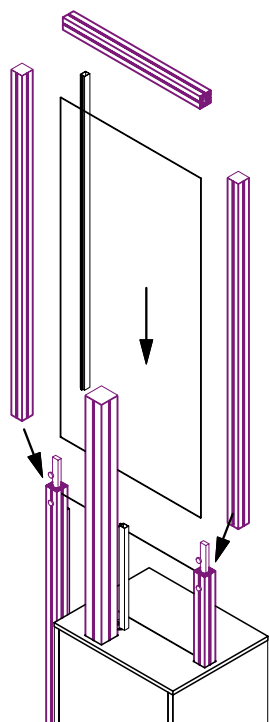


STEP 5

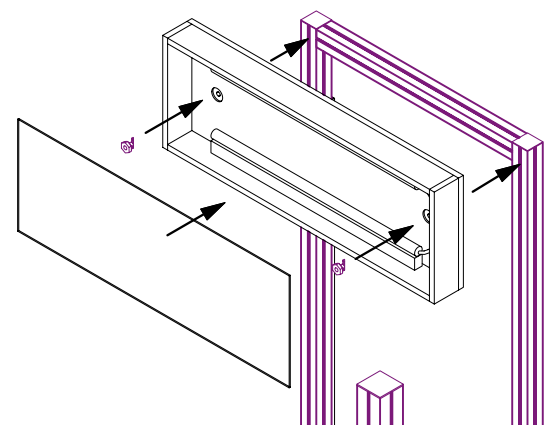
Attach upper left & right posts to the lower posts as shown. Tighten splice screws with supplied tool.

Slide upper plex piece down into grooves of posts.

Attach upper horizontal extrusion to inner top areas of posts. Engage locks with supplied tool, tightening 1/4 turn to the right.



STEP 6

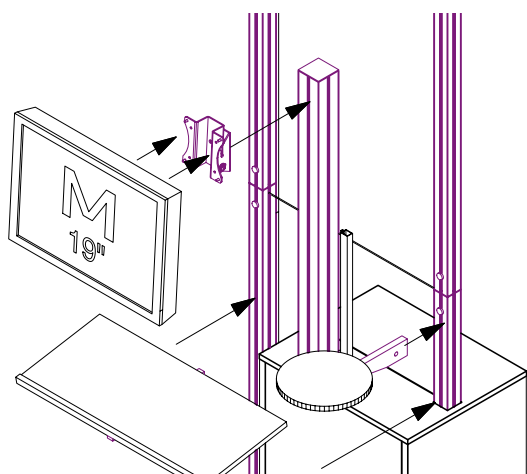


Connect lightbox (with lights pre-assembled inside) to the upper posts with supplied hammer-head bolts. Tighten with pliers or wrench (DO NOT OVERTIGHTEN).

Place magnetic graphic over face of box.

NOTE: thread wires through supplied plastic extrusions, and clip to back up posts.

STEP 7



Connect monitor to center post as shown. Attach keyboard shelf and mouse shelf to smaller posts. Engage locks with supplied tool, tightening 1/4 turn to the right.

STEP 8

Kiosk shown here completed.

Use plastic extrusion pieces to conceal any exposed power, monitor or USB cords by threading cables through extrusion, and clipping to the back side of the posts.

